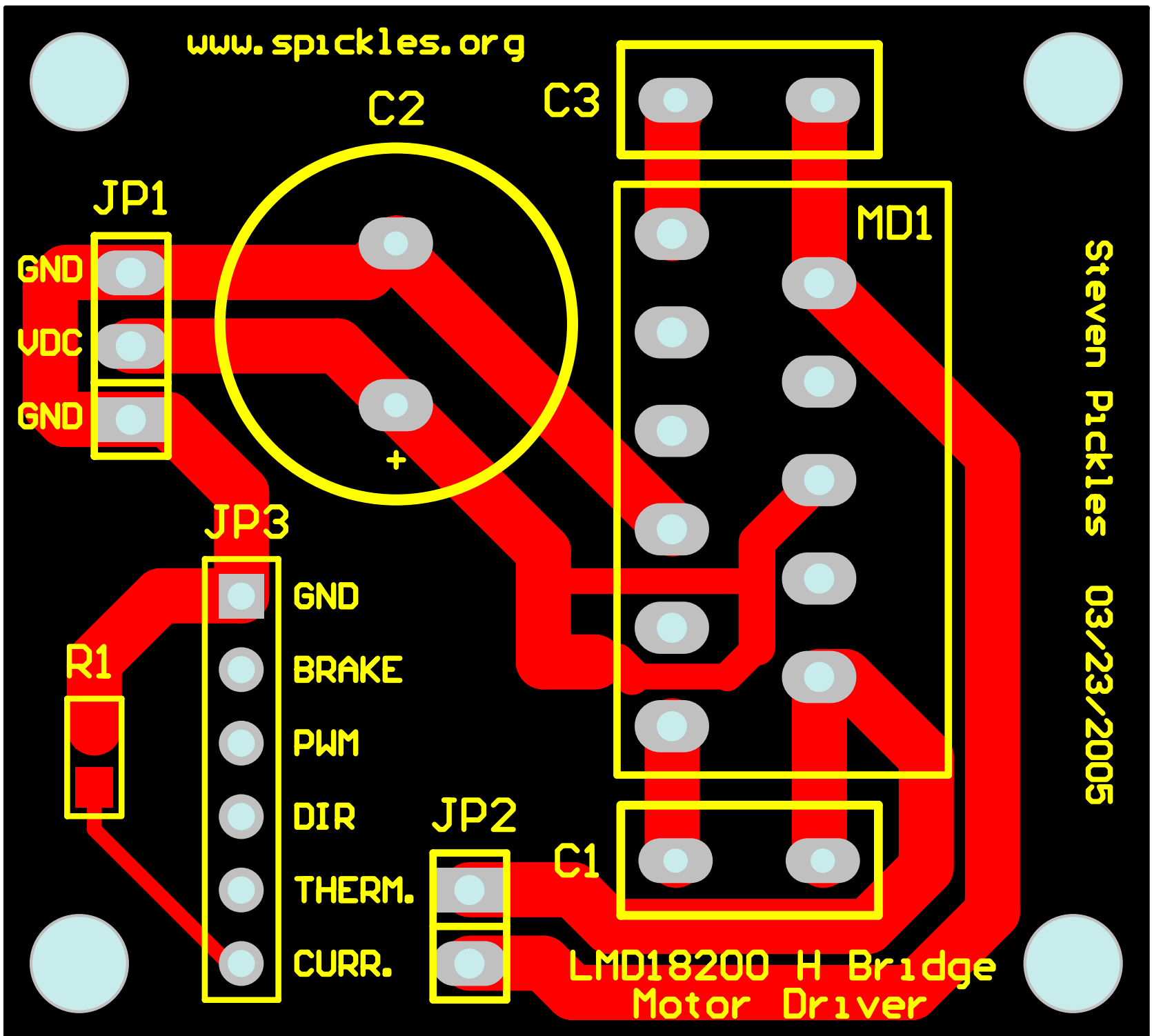


1550 (mil)

1400 (mil)



www.spickles.org

Steven Pickles 03/23/2005

LMD18200 H Bridge Motor Driver